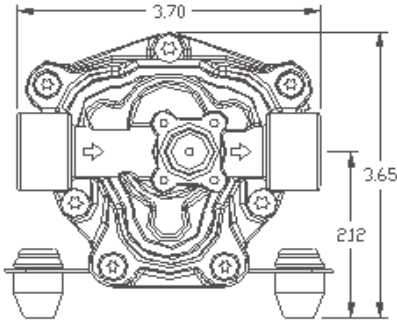


# 58-FLC-24

## 24 VDC FLOOR CARE PUMP

Flow : With #2 Nozzle: 100 PSI (6.8 BAR), 0.3 GPM (1.14 LPM)  
With #6 Nozzle: 40 PSI (2.7 BAR), 0.58 GPM (2.2 LPM)  
With #10 Nozzle: 20 PSI (1.4 BAR), 0.68 GPM (2.6 LPM)

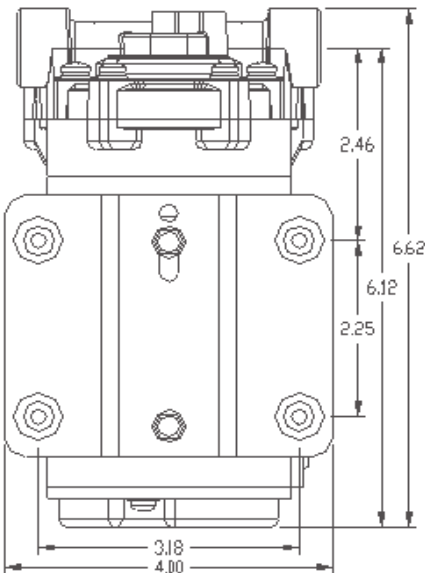


## FEATURES:

Series 5800 Pump  
Floor Care Applications  
24 VDC Operation  
3/8" NPT Female Ports  
Internal Pressure Bypass  
Sealed Motor to Prevent Moisture Intrusion  
Steel Mounting Plate (Other Types Available)

## SPECIFICATIONS:

- **MOTOR:**
  - TYPE:** 24 VDC, Permanent Magnet, Totally Enclosed, Non-Ventilated
  - LEADS:** 16 AWG, 12" LONG
  - TEMP. LIMITS:** For User Safety, Optimal Performance, and Maximum Motor Life, follow the Heat Rise Graph.
  - DUTY CYCLE:** See Heat Rise Graph
- **PUMP DESIGN:** 3 Chamber Diaphragm Pump, Self Priming, Capable of Being Run Dry
- **TYPICAL APPLICATION:** Floor Care
- **MATERIALS:**
  - HOUSINGS:** Nylon
  - VALVES:** Viton
  - DIAPHRAGM:** Santoprene
  - FASTENERS:** Stainless Steel, Zinc Plated Carbon Steel
- **LIQUID TEMPERATURE:** 170°F (77°C) Max.
- **PUMP CERTIFICATIONS:** CE, ROHS
- **PRIMING CAPABILITIES:** 8 FT (2.5 Meters)



WEIGHT: 6 lbs.



Aquatec International, Inc.  
17422 Pullman Street, Irvine, CA 92614  
Sales: 949-225-2200 Fax: 949-225-2222  
[www.aquatec.com](http://www.aquatec.com)

# 58-FLC-24

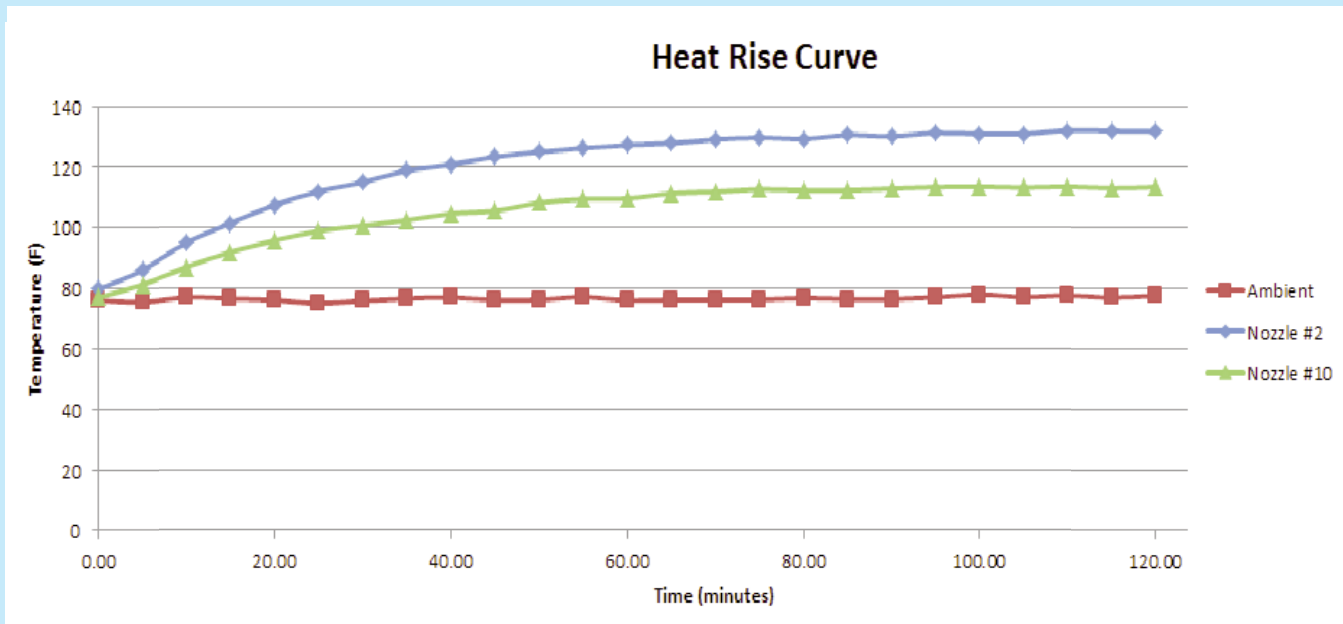
## 24VDC FLOOR CARE PUMP

PERFORMANCE DATA			
NOZZLE SIZE	DISCHARGE PRESSURE PSI (BAR)	FLOW GPM (LPM)	CURRENT (AMPS)
NUMBER 2	100 (6.8)	0.3 (1.14)	2.75
NUMBER 6	40 (2.7)	0.58 (2.2)	2.08
NUMBER 10	20 (1.4)	0.68 (2.6)	1.67

PERFORMANCE MEASURED WITH FLOODED INLET (0 PSI), 70°F (21°C) AMBIENT AND WATER TEMPERATURE, AND VOLTAGE CONTROLLED AT 24 VDC. POSITIVE INLET PRESSURE WILL INCREASE THE DISCHARGE PRESSURE BY A SIMILAR AMOUNT, FOR A GIVEN FLOW. MAXIMUM INLET PRESSURE IS 60 PSI.

**NOTES:**

- NOT RECOMMENDED FOR NOZZLES SMALLER THAN NUMBER TWO
- REQUIRES MINIMUM SYSTEM PRESSURE RELIEF VALVE SETTING OF 225 PSI WITH HEATER EQUIPPED UNITS



ALL PERFORMANCE AND HEAT RISE FIGURES ARE APPROXIMATE. ACTUAL VALUES WILL VARY WITH AMBIENT CONDITIONS.