

Series 8800 Pump

Model: 88XX-2X03-B544

Flow Range: Open Flow = 1.00-1.40 LPM

At 80 PSI = .68-.94 LPM

COMPLETING THE PART NUMBER:

88XX-2X03-B544

Steel Mounting Plate (Other Types Available)

See Performance Data for Recommended By-pass Pressure and Code

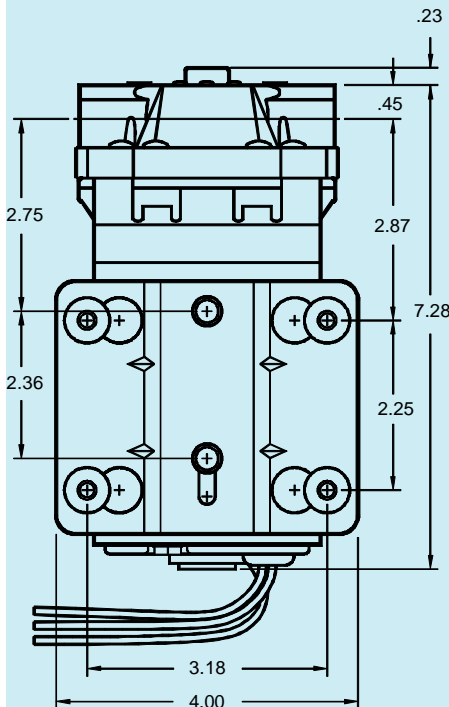
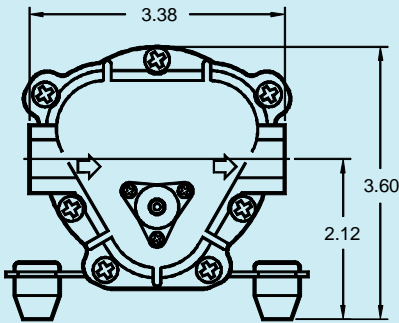
By-Pass Pressure Relief Control Valve

Select Pumphead Model From Performance Data Chart

3 = Open Ports for 3/8" Compression Fitting

4 = Push to Connect Ports for 1/4" Tubing

5 = Push-to-Connect Ports for 3/8" Tubing



WEIGHT: 6 lbs.

SPECIFICATIONS:

■ MOTOR:

TYPE:

12 VDC, Permanent Magnet, Totally Enclosed, Non-Ventilated

LEADS:

20 AWG, 6" LONG

TEMP. LIMITS:

This Motor is Not Equipped with Thermal Protection. For User Safety, Optimal Performance, and Maximum Motor Life, The Motor Surface Temperature Should Not Exceed 150°F (66°C), as Shown on the Heat Rise Graph.

DUTY CYCLE:

See Heat Rise Graph

■ PUMP DESIGN:

3 Chamber Diaphragm Pump, Self Priming, Capable of Being Run Dry

■ TYPICAL APPLICATION:

Pre-Filter Water Treatment (R.O. Boost)

■ MATERIALS:

HOUSINGS:

Nylon

VALVES:

EPDM

DIAPHRAGM:

Santoprene

FASTENERS:

Stainless Steel

■ LIQUID TEMPERATURE:

170°F (77°C) Max.

■ PUMP CERTIFICATIONS:

NSF Standard 58

■ PRIMING CAPABILITIES:

	88X0	88X1	88X2
PRIME (FEET)	4	5	6

■ FITTINGS:

TYPE	SHAPE	KIT NO.	CONNECTS TO...
3/8" COMPRESSION	STRAIGHT	25-145	3/8" TUBING
3/8" COMPRESSION	ELBOW	25-146	3/8" TUBING
3/8" STEM	STRAIGHT	25-144	3/8" JOHN GUEST PUSH-ON FITTING



Aquatec International, Inc.
17422 Pullman Street, Irvine, CA 92614
Sales: 949-225-2200 Fax: 949-225-2222
www.aquatec.com

Series 8800 Pump

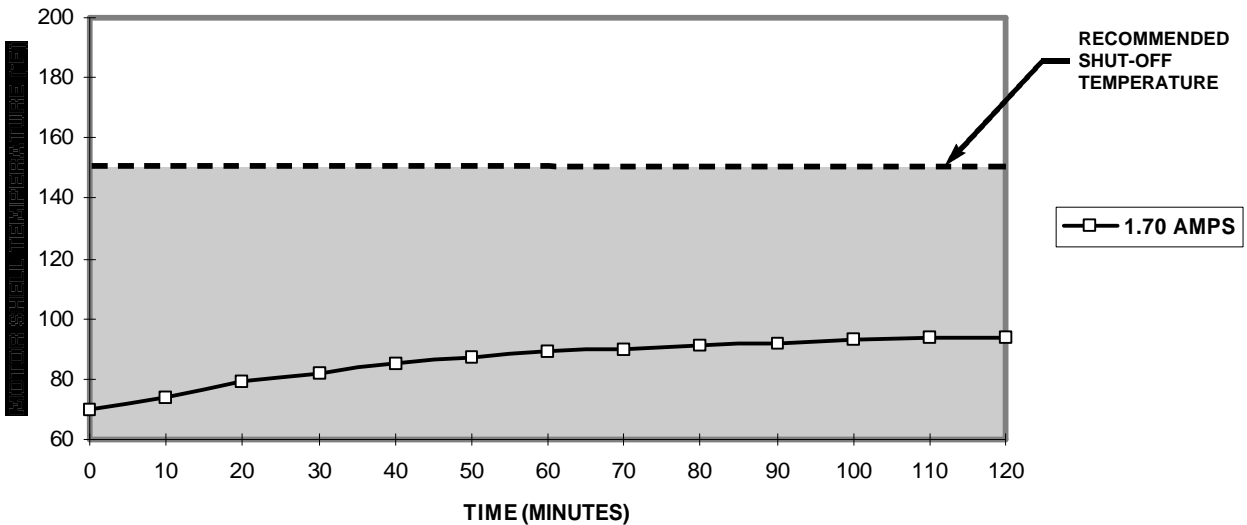
Model: 88XX-2X03-B544

PERFORMANCE DATA								
DISCHARGE PRESSURE (PSI)	PUMPHHEAD MODEL						RECOMMENDED BY-PASS PRESSURE	
	88X0		88X1		88X2		PSI	CODE
	FLOW (LPM)	CURRENT (AMPS)	FLOW (LPM)	CURRENT (AMPS)	FLOW (LPM)	CURRENT (AMPS)		
80	0.68	1.16	0.83	1.37	0.94	1.70	110	J
70	0.72	1.09	0.88	1.24	1.00	1.50	100	I
60	0.77	1.00	0.92	1.12	1.05	1.34	90	H
50	0.81	0.90	0.95	1.03	1.10	1.19	80	G
40	0.85	0.81	0.98	0.89	1.15	1.04	70	F
30	0.88	0.72	1.00	0.76	1.20	0.90	60	E
20	0.91	0.61	1.05	0.63	1.25	0.74	50	D
10	0.96	0.49	1.10	0.49	1.35	0.57	40	B
OPEN	1.00	0.42	1.20	0.44	1.40	0.50	30	A

PERFORMANCE MEASURED WITH FLOODED INLET (0 PSI), 70°F (21°C) AMBIENT AND WATER TEMPERATURE, AND VOLTAGE CONTROLLED AT 12 VDC. POSITIVE INLET PRESSURE WILL INCREASE THE DISCHARGE PRESSURE BY A SIMILAR AMOUNT, FOR A GIVEN FLOW. MAXIMUM INLET PRESSURE IS 60 PSI.

SHADED AREA DENOTES CONTINUOUS OPERATION CAPABILITY AT DESIGNATED PRESSURE AND CURRENT.

HEAT RISE



All of the pump models in the Performance Data and Heat Rise charts are in the shaded area, meaning they are capable of sustaining continual running, at any of the above listed pressures, without shutting down to allow the motor to cool. To conserve wearing parts, however, the pump should only operate as needed.

ALL PERFORMANCE AND HEAT RISE FIGURES ARE APPROXIMATE. ACTUAL VALUES WILL VARY WITH AMBIENT CONDITIONS.