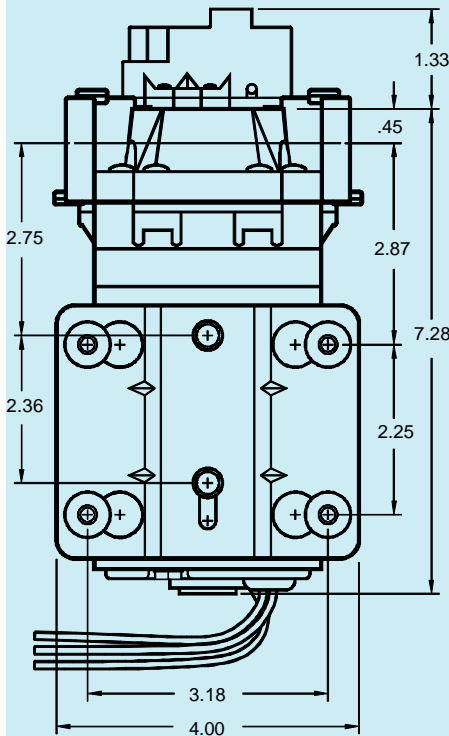
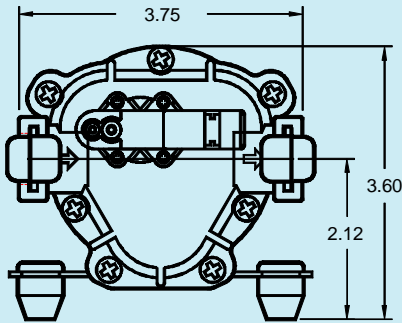


# Series 7800 Pump

Model: 786X-7X01-B424

Flow Range: Open Flow = .55-.95 GPM

At 70 PSI = .29-.50 GPM



WEIGHT: 6 lbs.

## COMPLETING THE PART NUMBER:

786X-7X01-B424

- Steel Mounting Plate (Other Types Available)
- Desired Shut-off Pressure & Code  
 A = 30PSI    C = 45PSI    E = 60PSI  
 B = 40PSI    D = 50PSI    F = 70PSI
- 70 PSI Pressure Switch Limit (Maximum Flow Components)
- Select Pumphead Model From Performance Data Chart
- Quick Disconnect Ports for Barb Fittings

## SPECIFICATIONS:

- MOTOR:**  
 TYPE: 24 VAC, Permanent Magnet, Totally Enclosed, Non-Ventilated  
 LEADS: 20 AWG, 6" LONG  
 TEMP. LIMITS: This Motor is Not Equipped with Thermal Protection. For User Safety, Optimal Performance, and Maximum Motor Life, The Motor Surface Temperature Should Not Exceed 150°F (66°C), as Shown on the Heat Rise Graph. See Heat Rise Graph  
 DUTY CYCLE:
- PUMP DESIGN:** 3 Chamber Diaphragm Pump, Self Priming, Capable of Being Run Dry
- TYPICAL APPLICATION:** Industrial Grade Water Transfer
- MATERIALS:**  
 HOUSINGS: Nylon  
 VALVES: EPDM  
 DIAPHRAGM: Santoprene  
 FASTENERS: Stainless Steel
- LIQUID TEMPERATURE:** 170°F (77°C) Max.
- PUMP CERTIFICATIONS:** NSF Standard 58
- PRIMING CAPABILITIES:**

	7860	7861	7862	7863	7864
PRIME (FEET)	5	5.5	6	9	9.5
- FITTINGS:**

TYPE	SHAPE	HOSE BARB SIZE	
		3/8"	1/2"
QUICK DISCONNECT	STRAIGHT	QBS-783	QBS-784
QUICK DISCONNECT	ELBOW	QBE-783	QBE-784



Aquatec International, Inc.  
 17422 Pullman Street, Irvine, CA 92614  
 Sales: 949-225-2200 Fax: 949-225-2222  
 www.aquatec.com

# Series 7800 Pump

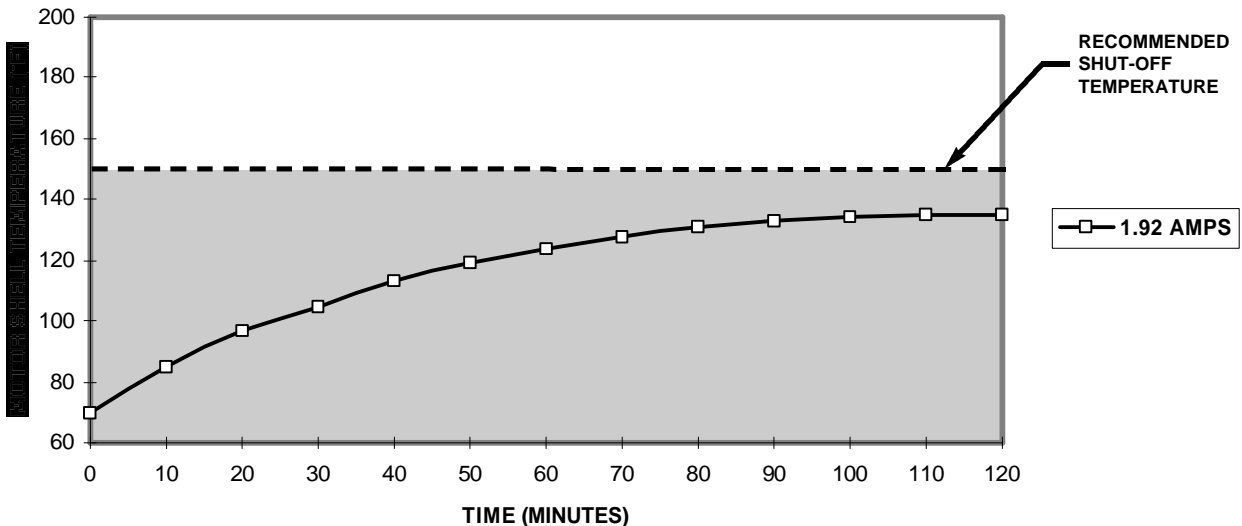
Model: 786X-7X01-B424

PERFORMANCE DATA										
DISCHARGE PRESSURE	PUMPHEAD MODEL									
	7860		7861		7862		7863		7864	
(PSI)	FLOW (GPM)	CURRENT (AMPS)	FLOW (GPM)	CURRENT (AMPS)	FLOW (GPM)	CURRENT (AMPS)	FLOW (GPM)	CURRENT (AMPS)	FLOW (GPM)	CURRENT (AMPS)
70	0.29	1.08	0.33	1.27	0.40	1.55	0.46	1.77	0.50	1.92
60	0.32	1.00	0.37	1.18	0.45	1.41	0.50	1.62	0.55	1.76
50	0.35	0.90	0.40	1.07	0.48	1.28	0.56	1.47	0.61	1.59
40	0.38	0.82	0.44	0.96	0.51	1.18	0.61	1.33	0.68	1.41
30	0.42	0.74	0.48	0.83	0.58	1.00	0.69	1.15	0.77	1.23
20	0.47	0.63	0.53	0.72	0.66	0.84	0.78	1.00	0.86	1.05
10	0.52	0.52	0.60	0.58	0.77	0.70	0.87	0.54	0.93	0.88
OPEN	0.55	0.50	0.63	0.56	0.80	0.65	0.90	0.80	0.95	0.85

PERFORMANCE MEASURED WITH FLOODED INLET (0 PSI), 70°F (21°C) AMBIENT AND WATER TEMPERATURE, AND VOLTAGE CONTROLLED AT 24 VAC. POSITIVE INLET PRESSURE WILL INCREASE THE DISCHARGE PRESSURE BY A SIMILAR AMOUNT, FOR A GIVEN FLOW. MAXIMUM INLET PRESSURE IS 60 PSI.

SHADED AREA DENOTES CONTINUOUS OPERATION CAPABILITY AT DESIGNATED PRESSURE AND CURRENT.

## HEAT RISE



All of the pump models in the Performance Data and Heat Rise charts are in the shaded area, meaning they are capable of sustaining continual running, at any of the above listed pressures, without shutting down to allow the motor to cool. To conserve wearing parts, however, the pump should only operate as needed.

Care should be exercised in selecting the proper transformer for this 24 VAC motor. The largest “wall mount” transformer from Aquatec is only rated to .80 amps. Aquatec’s “table top” transformer is rated to 2.00 amps. By-Pass pressures must also be considered when selecting a suitable transformer, in the event the pump is allowed to reach the preset by-pass pressure for sustained periods.

ALL PERFORMANCE AND HEAT RISE FIGURES ARE APPROXIMATE. ACTUAL VALUES WILL VARY WITH AMBIENT CONDITIONS.