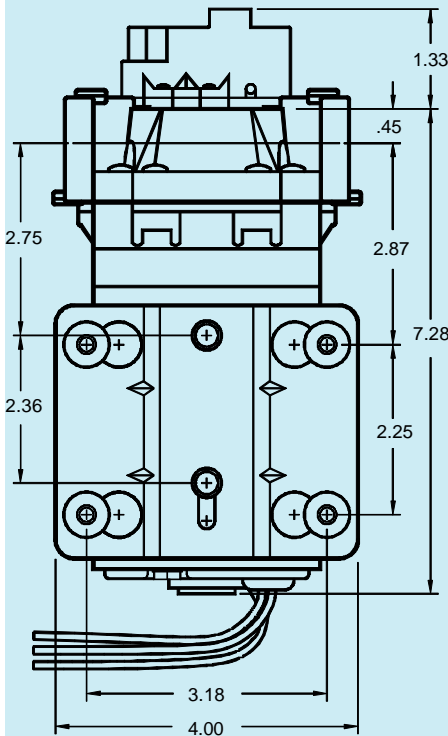
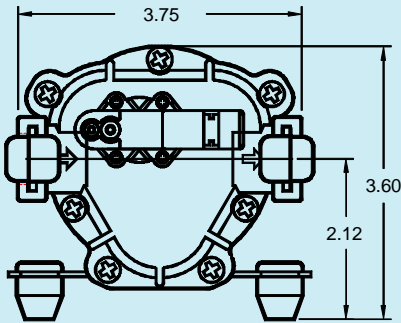


Series 7800 Pump

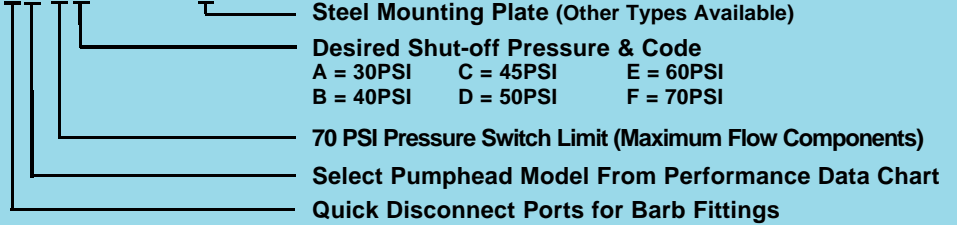
Model: 786X-7X01-B574
 Flow Range: Open Flow = .64-1.10 GPM
 At 70 PSI = .35-.70 GPM



WEIGHT: 6 lbs.

COMPLETING THE PART NUMBER:

786X-7X01-B574



SPECIFICATIONS:

- **MOTOR:**
 TYPE: 115 VAC, 60 HZ, Permanent Magnet, Totally Enclosed, Non-Ventilated
 LEADS: 14 AWG, 12" LONG
 TEMP. LIMITS: For User Safety, Optimal Performance, and Maximum Motor Life, This Motor is Equipped with a Thermal Protector that Limits the Motor Shell Temperature to 145°F (63°C), as Shown on the Heat Rise Graph.
 DUTY CYCLE: See Heat Rise Graph

- **PUMP DESIGN:** 3 Chamber Diaphragm Pump, Self Priming, Capable of Being Run Dry

- **TYPICAL APPLICATION:** Industrial Grade Water Transfer

- **MATERIALS:**
 HOUSINGS: Nylon
 VALVES: EPDM
 DIAPHRAGM: Santoprene
 FASTENERS: Stainless Steel

- **LIQUID TEMPERATURE:** 170°F (77°C) Max.

- **PUMP CERTIFICATIONS:** NSF Standard 58

- **PRIMING CAPABILITIES:**

	7860	7861	7862	7863	7864
PRIME (FEET)	4.5	5.5	7	8	9.5

- **FITTINGS:**

TYPE	SHAPE	HOSE BARB SIZE	
		3/8"	1/2"
QUICK DISCONNECT	STRAIGHT	QBS-783	QBS-784
QUICK DISCONNECT	ELBOW	QBE-783	QBE-784



Aquatec International, Inc.
 17422 Pullman Street, Irvine, CA 92614
 Sales: 949-225-2200 Fax: 949-225-2222
 www.aquatec.com

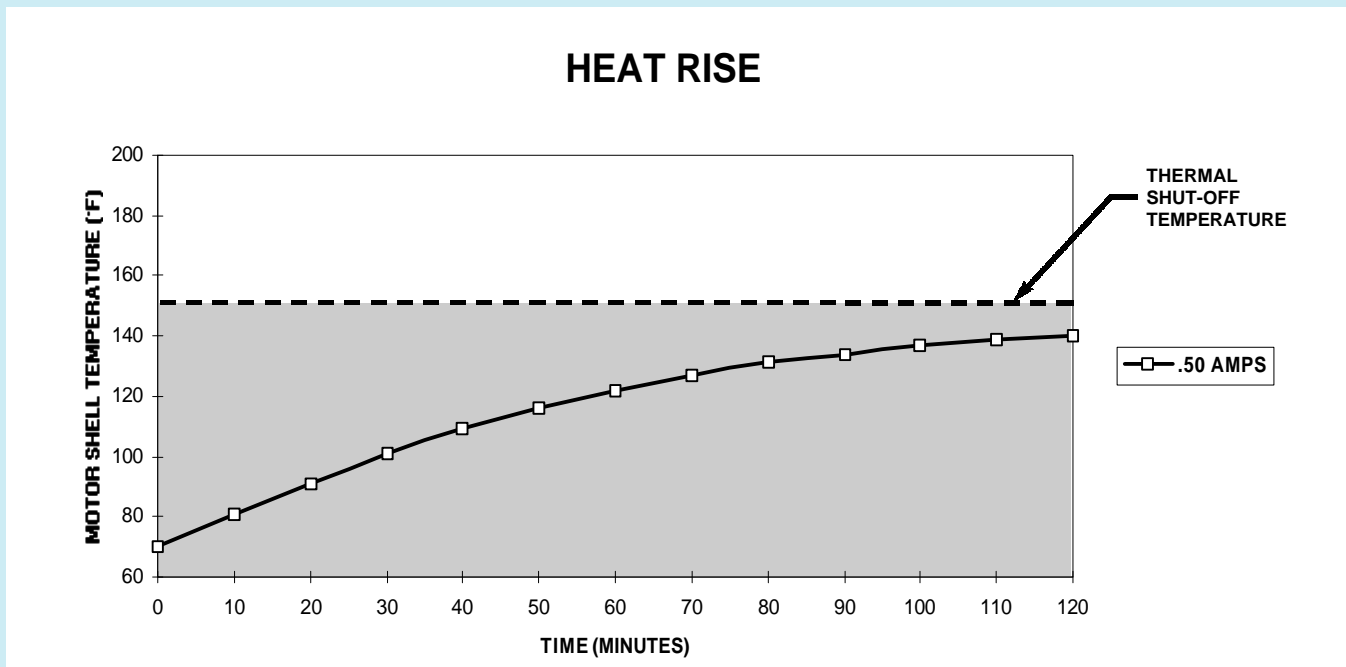
Series 7800 Pump

Model: 786X-7X01-B574

PERFORMANCE DATA										
DISCHARGE PRESSURE	PUMPHEAD MODEL									
	7860		7861		7862		7863		78X4	
(PSI)	FLOW (GPM)	CURRENT (AMPS)	FLOW (GPM)	CURRENT (AMPS)	FLOW (GPM)	CURRENT (AMPS)	FLOW (GPM)	CURRENT (AMPS)	FLOW (GPM)	CURRENT (AMPS)
70	0.35	0.26	0.40	0.31	0.50	0.38	0.60	0.44	0.70	0.50
60	0.37	0.24	0.43	0.29	0.55	0.35	0.63	0.40	0.75	0.45
50	0.40	0.22	0.45	0.27	0.60	0.32	0.68	0.37	0.81	0.40
40	0.44	0.20	0.48	0.24	0.64	0.30	0.75	0.34	0.88	0.38
30	0.48	0.18	0.53	0.22	0.70	0.26	0.80	0.30	0.93	0.32
20	0.53	0.16	0.60	0.19	0.79	0.22	0.89	0.26	0.99	0.28
10	0.60	0.14	0.67	0.16	0.86	0.19	0.95	0.22	1.06	0.24
OPEN	0.64	0.12	0.70	0.15	0.90	0.18	0.98	0.21	1.10	0.22

PERFORMANCE MEASURED WITH FLOODED INLET (0 PSI), 70°F (21°C) AMBIENT AND WATER TEMPERATURE, AND VOLTAGE CONTROLLED AT 115 VAC. POSITIVE INLET PRESSURE WILL INCREASE THE DISCHARGE PRESSURE BY A SIMILAR AMOUNT, FOR A GIVEN FLOW. MAXIMUM INLET PRESSURE IS 60 PSI.

SHADED AREA DENOTES CONTINUOUS OPERATION CAPABILITY AT DESIGNATED PRESSURE AND CURRENT.



All of the pump models in the Performance Data and Heat Rise charts are in the shaded area, meaning they are capable of sustaining continual running, at any of the above listed pressures, without shutting down to allow the motor to cool. To conserve wearing parts, however, the pump should only operate as needed.

ALL PERFORMANCE AND HEAT RISE FIGURES ARE APPROXIMATE. ACTUAL VALUES WILL VARY WITH AMBIENT CONDITIONS.